

PAMS Technical Documentation

NSM-2 Series Transceivers

General Information

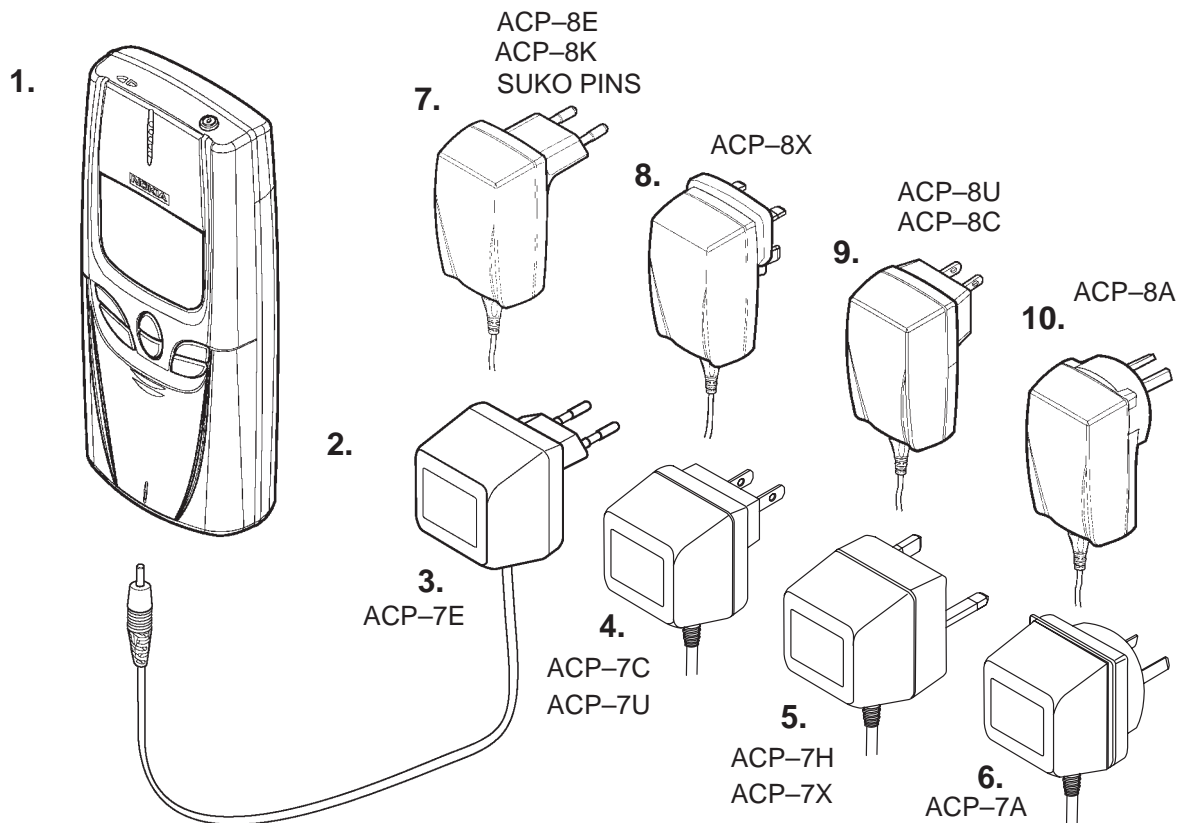
CONTENTS

Product Selection	3
Handportables	3
Desktop Option	4
Product and Module List	5
Technical Specifications	6
General Specifications of Transceiver NSM-2	6

Product Selection

Handportables

The NSM-2 is a dual band handportable mobile telephone for the E-GSM 900 and GSM1800 networks.

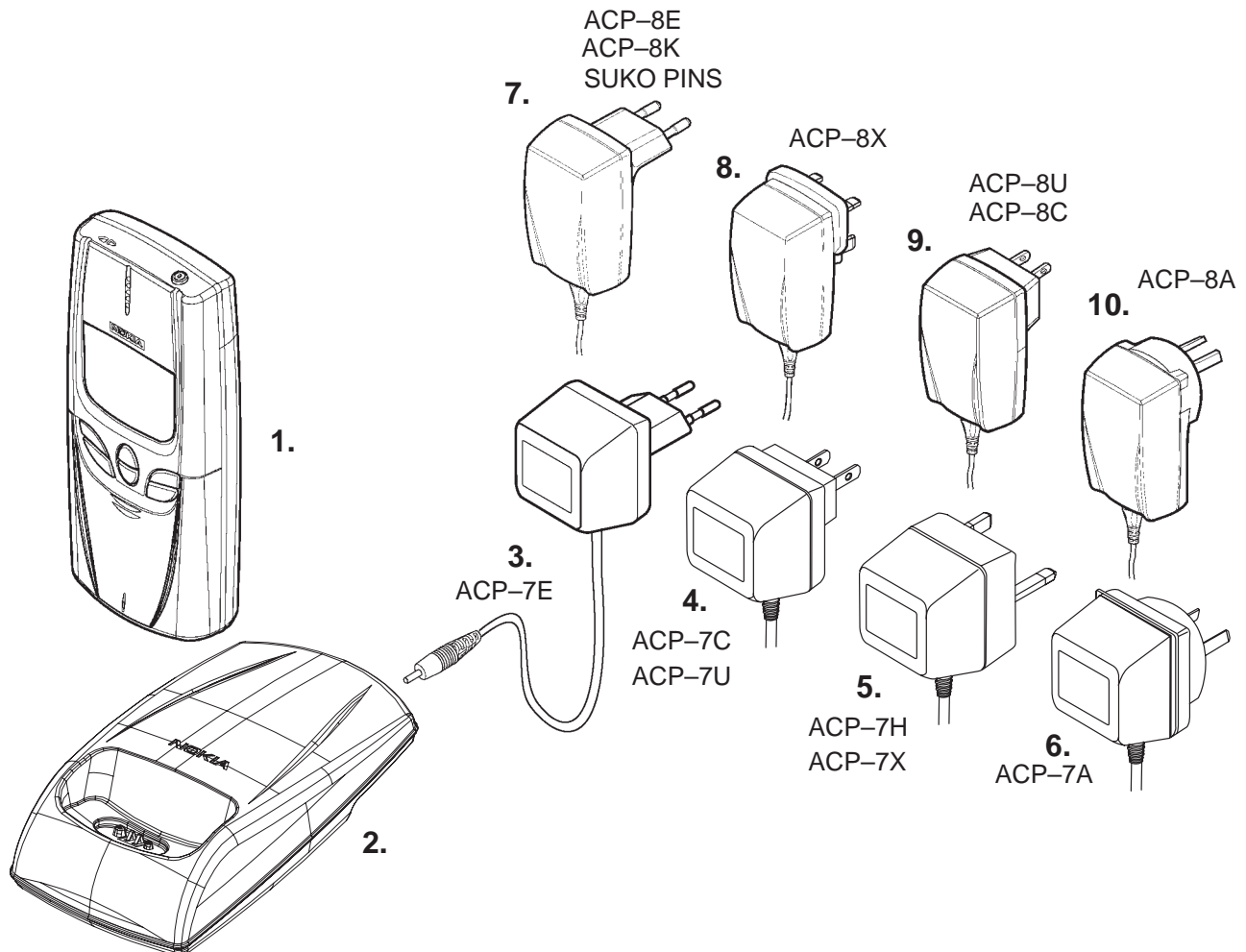


Item Name: _____ Type code: _____ Material code: _____

Item Name:	Type code:	Material code:
1. Transceiver	See Product Variants	
2. Standard battery (Li-ion 650 mAh)	BLB-2	0670246
3. AC Travel Charger (Euro plug) 207-253 Vac	ACP-7E	0675144
4. AC Travel Charger (US plug) 108-132 Vac	ACP-7U	0675143
AC Travel Charger (US plug) 198-242 Vac	ACP-7C	0675158
5. AC Travel Charger (UK plug) 207-253 Vac	ACP-7X	0675145
AC Travel Charger (UK plug) 180-220 Vac	ACP-7H	0675146
6. AC Travel Charger (Australia) 216-264 Vac	ACP-7A	0675148
7. Performance Travel Charger Euro plug 90-264 Vac	ACP-8E	0675195
Performance Travel Charger Korea plug 90-264 Vac	ACP-8K	0675199
8. Performance Travel Charger UK plug 90-264 Vac	ACP-8X	0675197
9. Performance Travel Charger US plug 90-264 Vac	ACP-8U	0675196
Performance Travel Charger China plug 90-264 Vac	ACP-8C	0675211
10. Performance Travel Charger Australia plug 90-264 Vac	ACP-8A	0675214

Desktop Option

The desktop option allows the user to charge the phone from the mains.



Item Name:	Type code:	Material code:
1. Transceiver	See Product Variants	
2. Desk Stand	DVC-1	0675203
3. AC Travel Charger (Euro plug) 207-253 Vac	ACP-7E	0675144
4. AC Travel Charger (US plug) 108-132 Vac	ACP-7U	0675143
AC Travel Charger (US plug) 198-242 Vac	ACP-7C	0675158
5. AC Travel Charger (UK plug) 207-253 Vac	ACP-7X	0675145
AC Travel Charger (UK plug) 180-220 Vac	ACP-7H	0675146
6. AC Travel Charger (Australia) 216-264 Vac	ACP-7A	0675148
7. Performance Travel Charger Euro plug 90-264 Vac	ACP-8E	0675195
Performance Travel Charger Korea plug 90-264 Vac	ACP-8K	0675199
8. Performance Travel Charger UK plug 90-264 Vac	ACP-8X	0675197
9. Performance Travel Charger US plug 90-264 Vac	ACP-8U	0675196
Performance Travel Charger China plug 90-264 Vac	ACP-8C	0675211
10. Performance Travel Charger Australia plug 90-264 Vac	ACP-8A	0675214

Product and Module List

Unit/type:	Product code:
Transceiver NSM-2	See Product Variants
Standard Battery BLB-2 650 mAh Li-ion	0670246
AC Travel Charger ACP-7E (EUR) 207-253 Vac	0675144
AC Travel Charger ACP-7U (US) 108-132 Vac	0675143
AC Travel Charger ACP-7C (US) 198-242 Vac	0675158
AC Travel Charger ACP-7X (UK) 207-253 Vac	0675145
AC Travel Charger ACP-7H (UK) 180-220 Vac	0675146
AC Travel Charger ACP-7A (AUS) 216-264 Vac	0675148
Performance Travel Charger ACP-8E (EUR) 90-264 Vac	0675195
Performance Travel Charger ACP-8K (Korea) 90-264 Vac	0675199
Performance Travel Charger ACP-8X (UK) 90-264 Vac	0675197
Performance Travel Charger ACP-8U (US) 90-264 Vac	0675196
Performance Travel Charger ACP-8C (China) 90-264 Vac	0675211
Performance Travel Charger ACP-8A (Australia) 90-264 Vac	0675214
Headset HDC-5	0694059
Loopset LPS-3	0630244
Holster HHC-4	0720190
Swivel Mount HHS-12	0620054
Desk Stand DCV-1	0675203
HF Microphone HFM-8	0690016
Plug&Play HF Cigarette Lighter Charger PPH-1	0675182
Cigarette Lighter Charger LCH-8	0675231
Cigarette Lighter Charger LCH-9	0675120

Technical Specifications

General Specifications of Transceiver NSM-2

Parameter	Unit
Cellular system	GSM900 and GSM1800
RX frequency band	EGSM: 925 ... 935 MHz GSM900 935 ... 960 MHz GSM1800 1805 ... 1880 MHz
TX frequency band	EGSM 880 ... 890 MHz GSM900 890 ... 915 MHz GSM1800 1710 ... 1785 MHz
Output power	GSM900 * +5 ...+33 dBm / 3.2 mW ... 2 W GSM1800 +0 ...+30 dBm / 1.0 mW ... 1 W
Duplex spacing	GSM900 * 45 MHz GSM1800 95 MHz
Number of RF channels	EGSM 50 GSM900 124 GSM1800 374
Channel spacing	200 kHz
Number of TX power levels	GSM900 * 15 GSM1800 16
Sensitivity, static channel	GSM900: -102 dBm GSM1800: -100 dBm
Frequency error, static channel	< 0.1 ppm
RMS phase error	< 5.0 °
Peak phase error	< 20.0 °

*) applies also to EGSM